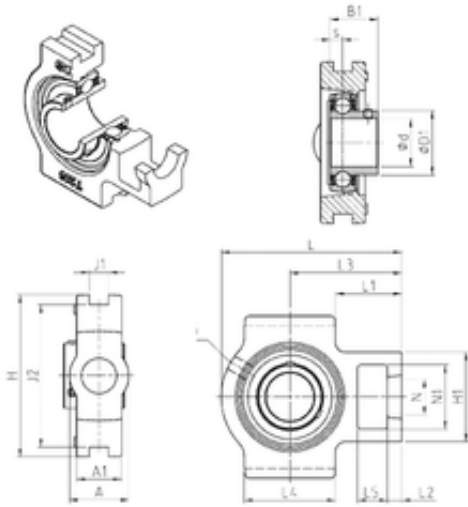




Relaciones públicas de precisión.



UST205 Bearing 2D drawings and 3D CAD models

SNR UST205 Unidad De Rodamiento

Bearing No. UST205

Bore Diameter	25 mm
d	25 mm
L4	51 mm
L5	16 mm
L2	10 mm
L3	62 mm
s	7,5 mm
A	32 mm
A1	24 mm
B1	27 mm
D1	34 mm
H	89 mm
H1	51 mm
L	97 mm
L1	36,5 mm
N	19 mm
N1	32 mm
Thread (G)	M6x1
J1	12 mm
J2	76 mm
Weight	0,8 Kg
Basic dynamic load rating (C)	14 kN
A2	24 mm
B	27 mm
A5	19.5 mm
G	M6x1



Relaciones públicas de precisión.

H2	51 mm
N2	32 mm
s1	13.5 mm
S	7.5 mm
SW	3 mm
C	14 kN
C0	7.88 kN
T min.	-20 ° C
T max.	100 ° C
Recommended tightening torque for set screw	5.5 Nm
Designation of housing	T205-
Designation of bearing	US205G2